

MCU



mcu.sch

Interface



interface.sch

Piezo drivers



piezo.sch

OPU interface



opu.sch

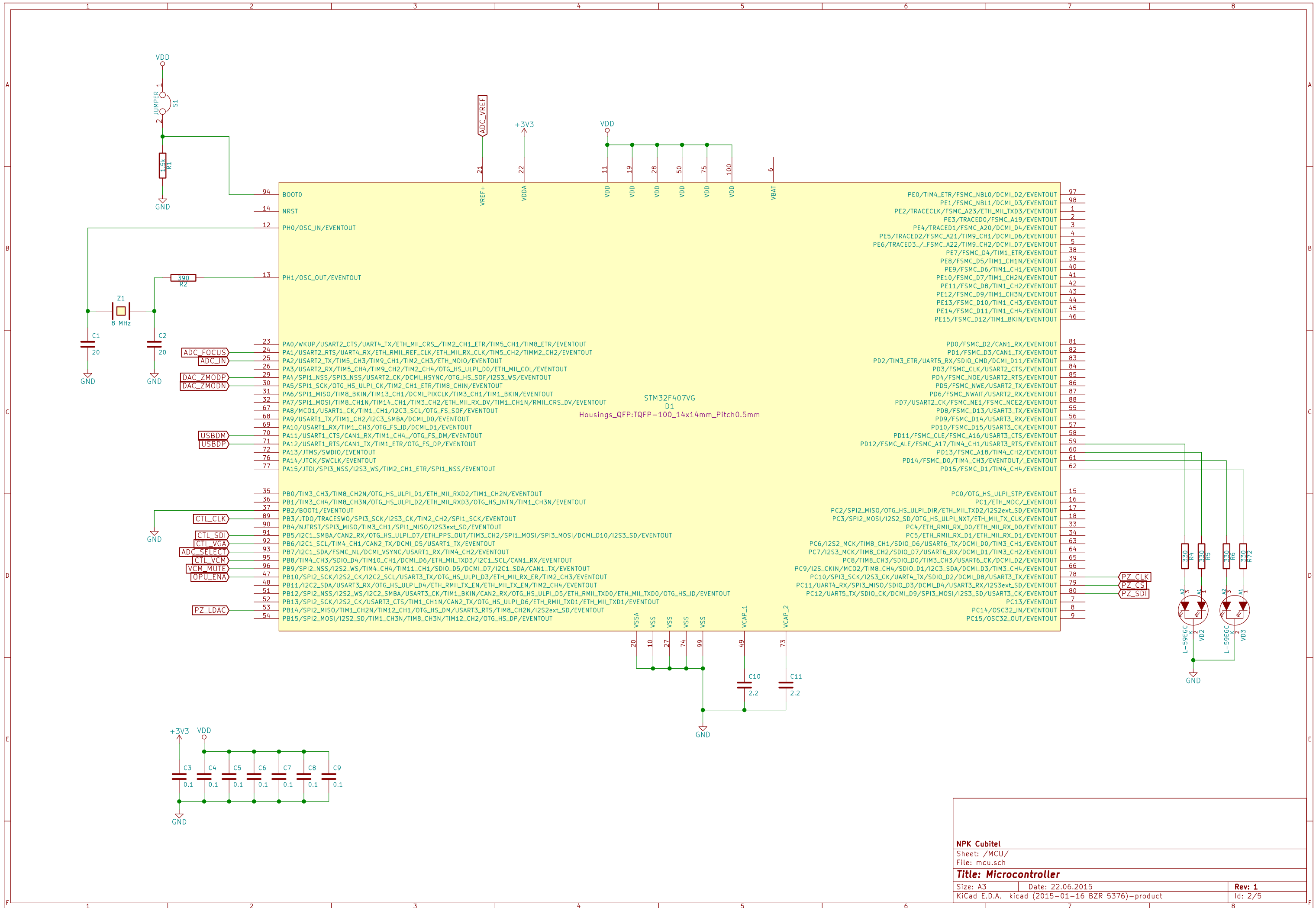
NPK Cubitel

Sheet: /
File: afm.sch

Title: Atomic Force Microscope

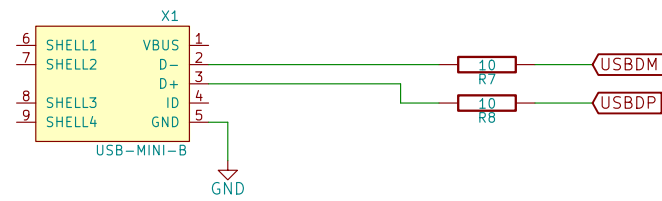
Size: A4 Date: 22.06.2015
KiCad E.D.A. kicad (2015-01-16 BZR 5376)-product

Rev: 1
Id: 1/5

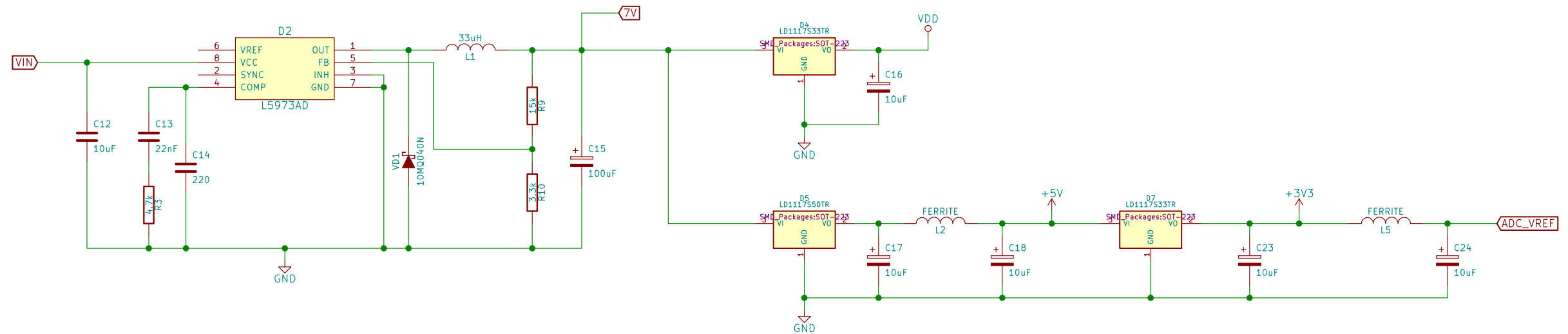
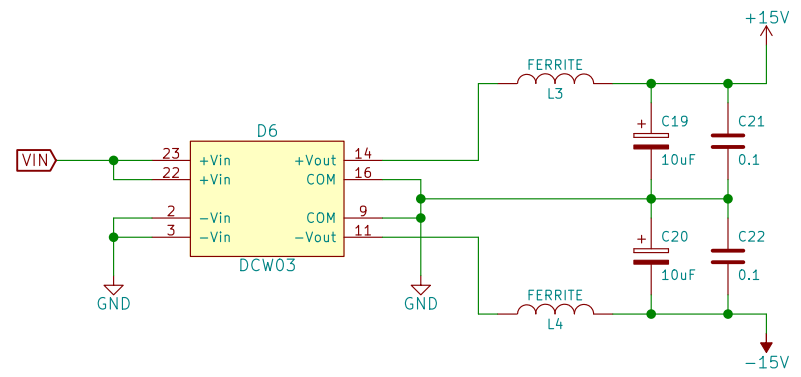
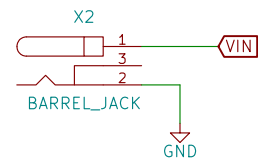


NPK Cubitel		
Sheet: /MCU/		
File: mcu.sch		
Title: Microcontroller		
Size: A3	Date: 22.06.2015	Rev: 1
KiCad E.D.A. kicad (2015-01-16 BZR 5376)-product		Id: 2/5

USB connector



Power connector



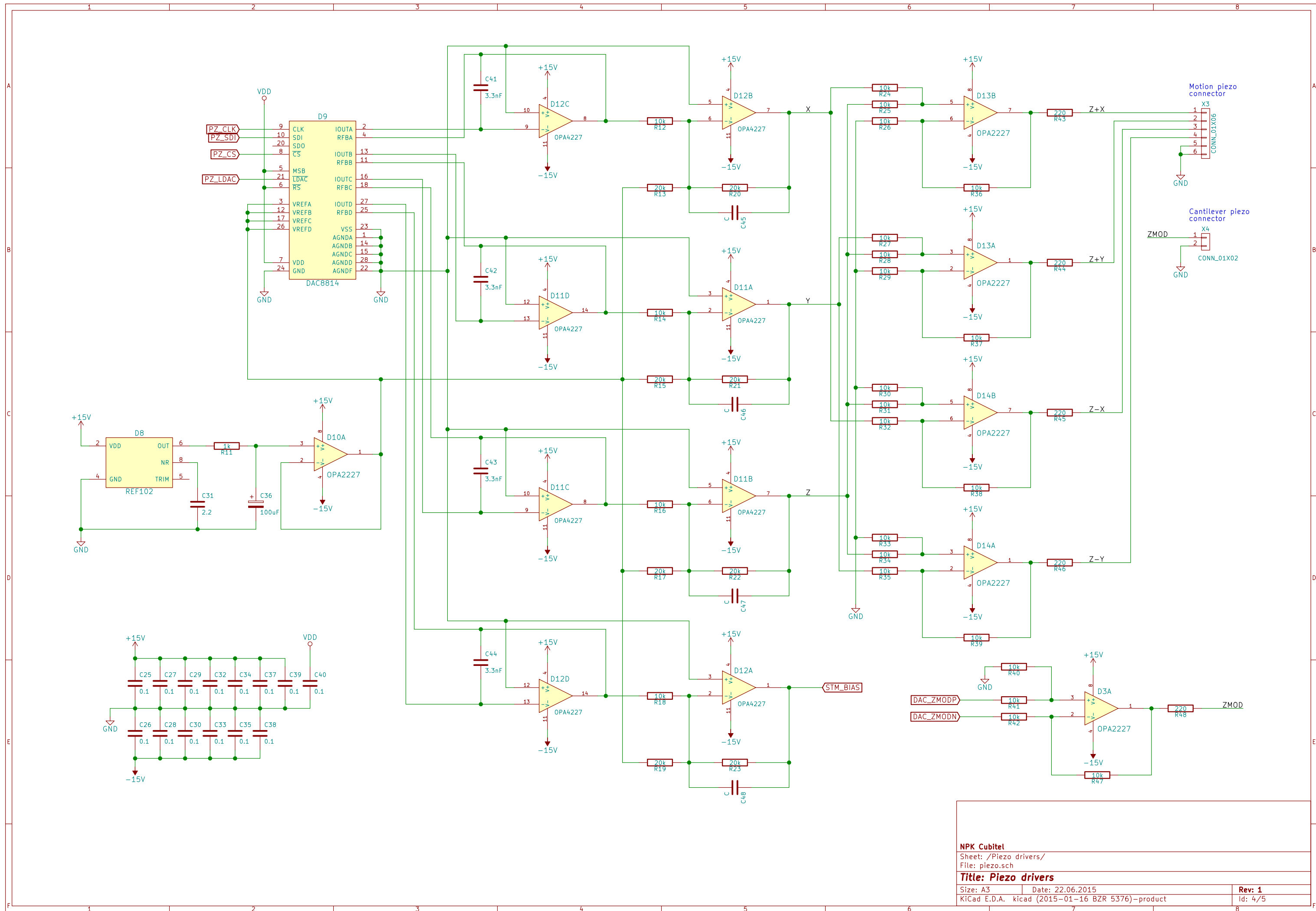
NPK Cubitel

Sheet: /Interface/
File: interface.sch

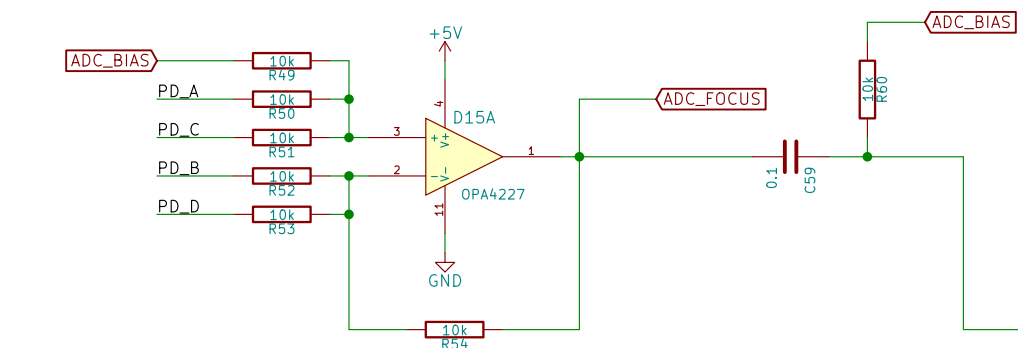
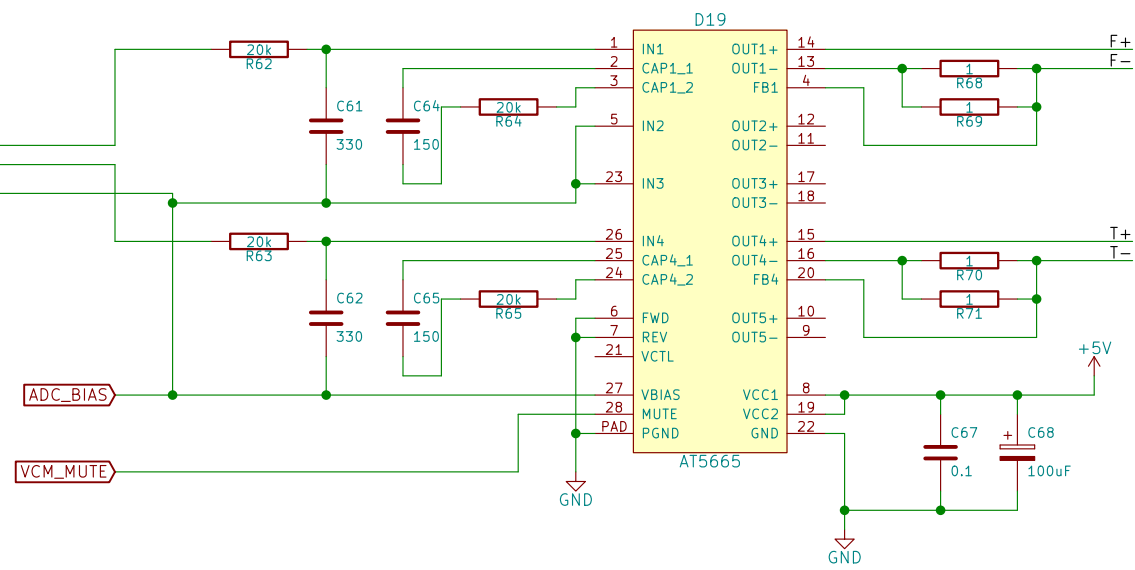
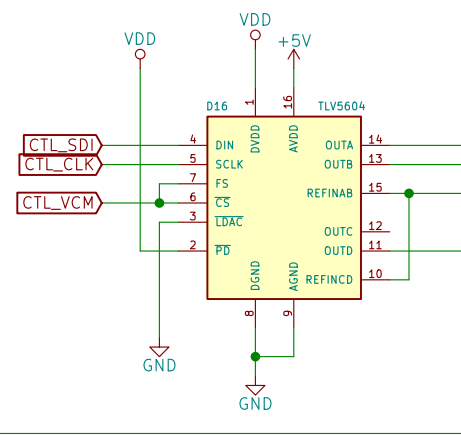
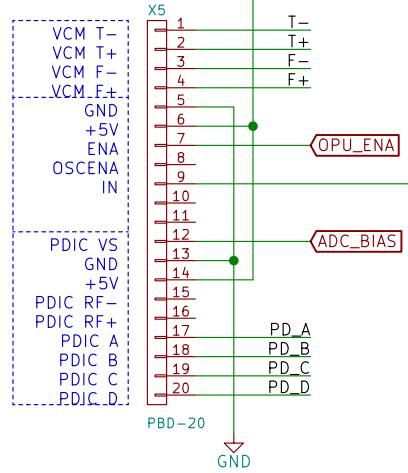
Title: Power and external interfaces

Size: A3 Date: 22.06.2015
KiCad E.D.A. kicad (2015-01-16 BZR 5376)-product

Rev: 1
Id: 3/5



Optical Pickup Unit connector



STM preamplifier connector

